

LED 球泡灯



LED Bulb Light

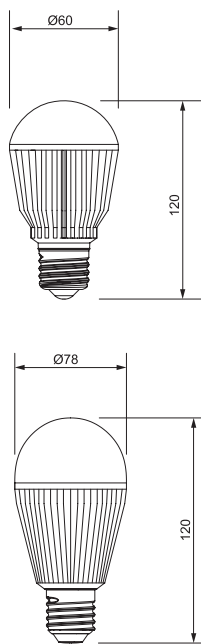
BSD-QP035



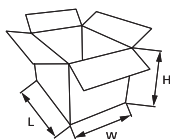
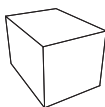
BSD-QP036



外形尺寸图 Dimension Diagram



包装参数 Packaging Parameters



Item	Size(mm) 包装数量 Qty	外箱尺寸 Carton Size
BSD-QP035	80PCS	520L×350W×350H
BSD-QP036	48PCS	520L×350W×350H

产品特点 Product Features

光线柔和，光谱纯正，发光效率高，照度均匀性良好，对眼睛无刺激性。导热面与空气的接触面积大，散热效果好，具有过压保护、过流保护和短路保护等功能，安全可靠。

Soft light, pure optical spectrum, high luminous efficiency, excellent illumination uniformity, no irritation to eyes. Big contact area between thermal surface and atmosphere, superior heat dissipation performance, overvoltage, overcurrent and short circuit protection, safe and reliable.

应用场合 Applications

用于商场、办公大楼、酒店、展厅、会议室、医院、橱窗、居室等场所，特别适合豪华型高标准大空间的照明装饰。

Apply to market, office building, hotel, exhibition room, meeting room, hospital, show window, living room, etc. Especially suitable for lighting decoration of big luxurious high-standard place, etc.

规格参数 Specifications

型号 Type	QP035/ QP036
材料 Material	Al
防护等级 IP Rating	IP40
功率 Power (W)	7W / 12W
输入电压 Input Voltage (V)	85-265
光源类型 Light source Type	high power LED
芯片尺寸 Chip Size (mil)	45
光源数量 Light Source Quantity (pcs)	7 / 12
光源光效 Luminous Efficiency (Lm/W)	90-130
显色指数 CRI	80
色温 Color Temp (k)	2800-7000K
环境温度 Environment Temperature (°C)	-40~45
使用寿命 Lifespan (h)	30000-80000



LED 球泡灯

LED Bulb Light

BSD-QP037



BSD-QP038



产品特点 Product Features

光线柔和, 光谱纯正, 发光效率高, 照度均匀性良好, 对眼睛无刺激性. 导热面与空气的接触面积大, 散热效果好, 具有过压保护、过流保护和短路保护等功能, 安全可靠。

Soft light, pure optical spectrum, high luminous efficiency, excellent illumination uniformity, no irritation to eyes. Big contact area between thermal surface and atmosphere, superior heat dissipation performance, overvoltage, overcurrent and short circuit protection, safe and reliable.

应用场合 Applications

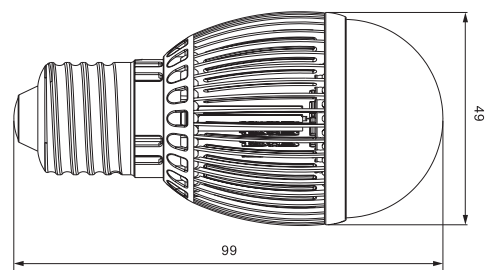
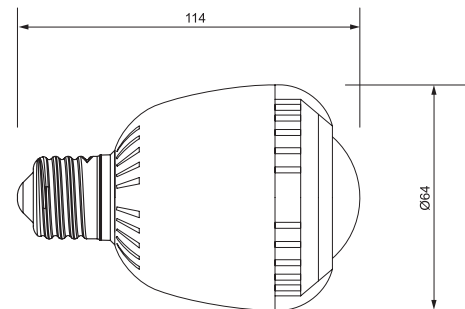
用于商场、办公大楼、酒店、展厅、会议室、医院、橱窗、居室等场所, 特别适合豪华型高标准大空间的照明装饰。

Apply to market, office building, hotel, exhibition room, meeting room, hospital, show window, living room, etc. Especially suitable for lighting decoration of big luxurious high-standard place, etc.

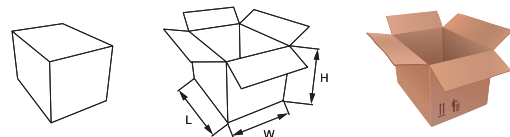
规格参数 Specifications

型号 Type	QP037 / QP038
材料 Material	Al
防护等级 IP Rating	IP40
功率 Power (W)	6W / 3W
输入电压 Input Voltage (V)	85-265
光源类型 Light source Type	high power LED
芯片尺寸 Chip Size (mil)	45
光源数量 Light Source Quantity (pcs)	2 / 2
光源光效 Luminous Efficiency (Lm/W)	90-130
显色指数 CRI	80
色温 Color Temp (k)	2800-7000K
环境温度 Environment Temperature (°C)	-40~45
使用寿命 Lifespan (h)	30000-80000

外形尺寸图 Dimension Diagram



包装参数 Packaging Parameters



Item	Size(mm)	包装数量 Qty	外箱尺寸 Carton Size
BSD-QP037		50PCS	395L×395W×300H
BSD-QP038		50PCS	320L×320W×280H

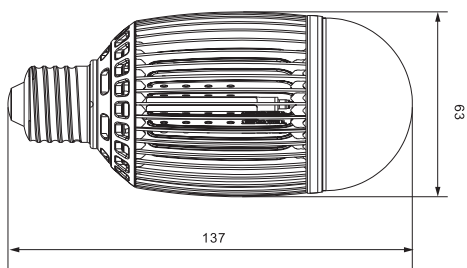
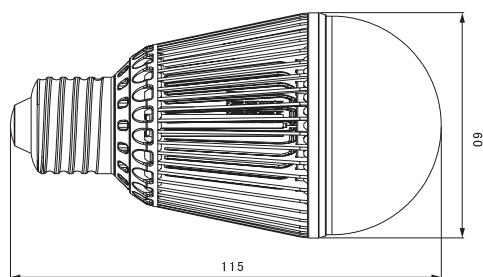
LED 球泡灯



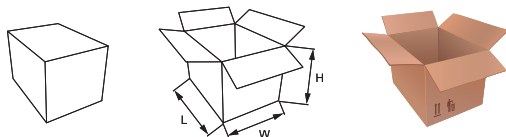
LED Bulb Light



外形尺寸图 Dimension Diagram



包装参数 Packaging Parameters



Item	Size(mm)	包装数量 Qty	外箱尺寸 Carton Size
BSD-QP039		50PCS	370L×370W×390H
BSD-QP040		50PCS	395L×350W×350H

产品特点 Product Features

光线柔和, 光谱纯正, 发光效率高, 照度均匀性良好, 对眼睛无刺激性. 导热面与空气的接触面积大, 散热效果好, 具有过压保护、过流保护和短路保护等功能, 安全可靠。

Soft light, pure optical spectrum, high luminous efficiency, excellent illumination uniformity, no irritation to eyes. Big contact area between thermal surface and atmosphere, superior heat dissipation performance, overvoltage, overcurrent and short circuit protection, safe and reliable.

应用场合 Applications

用于商场、办公大楼、酒店、展厅、会议室、医院、橱窗、居室等场所, 特别适合豪华型高标准大空间的照明装饰。

Apply to market, office building, hotel, exhibition room, meeting room, hospital, show window, living room, etc. Especially suitable for lighting decoration of big luxurious high-standard place, etc.

规格参数 Specifications

型号 Type	QP039/ QP040
材料 Material	Al
防护等级 IP Rating	IP40
功率 Power (W)	5W / 7W
输入电压 Input Voltage (V)	85-265
光源类型 Light source Type	high power LED
芯片尺寸 Chip Size (mil)	45
光源数量 Light Source Quantity (pcs)	5 / 7
光源光效 Luminous Efficiency (Lm/W)	90-130
显色指数 CRI	80
色温 Color Temp (k)	2800-7000K
环境温度 Environment Temperature (°C)	-40~45
使用寿命 Lifespan (h)	30000-80000



LED 球泡灯

LED Bulb Light



产品特点 Product Features

光线柔和, 光谱纯正, 发光效率高, 照度均匀性良好, 对眼睛无刺激性. 导热面与空气的接触面积大, 散热效果好, 具有过压保护、过流保护和短路保护等功能, 安全可靠。

Soft light, pure optical spectrum, high luminous efficiency, excellent illumination uniformity, no irritation to eyes. Big contact area between thermal surface and atmosphere, superior heat dissipation performance, overvoltage, overcurrent and short circuit protection, safe and reliable.

应用场合 Applications

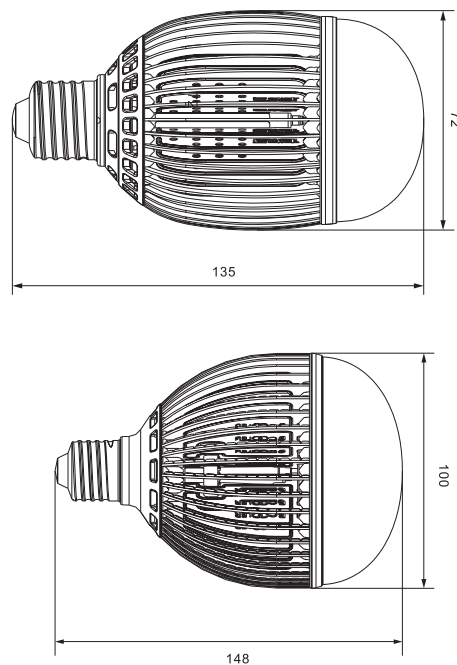
用于商场、办公大楼、酒店、展厅、会议室、医院、橱窗、居室等场所, 特别适合豪华型高标准大空间的照明装饰。

Apply to market, office building, hotel, exhibition room, meeting room, hospital, show window, living room, etc. Especially suitable for lighting decoration of big luxurious high-standard place, etc.

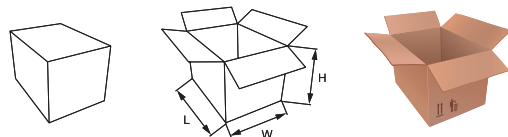
规格参数 Specifications

型号 Type	QP041 / QP042
材料 Material	Al
防护等级 IP Rating	IP40
功率 Power (W)	9W / 15W
输入电压 Input Voltage (V)	85-265
光源类型 Light source Type	high power LED
芯片尺寸 Chip Size (mil)	45
光源数量 Light Source Quantity (pcs)	9 / 15
光源光效 Luminous Efficiency (Lm/W)	90-130
显色指数 CRI	80
色温 Color Temp (k)	2800-7000K
环境温度 Environment Temperature (°C)	-40~45
使用寿命 Lifespan (h)	30000-80000

外形尺寸图 Dimension Diagram



包装参数 Packaging Parameters



Item	Size(mm)	包装数量 Qty	外箱尺寸 Carton Size
BSD-QP041		50PCS	395L×395W×350H
BSD-QP042		50PCS	570L×570W×380H

LED 球泡灯



LED Bulb Light

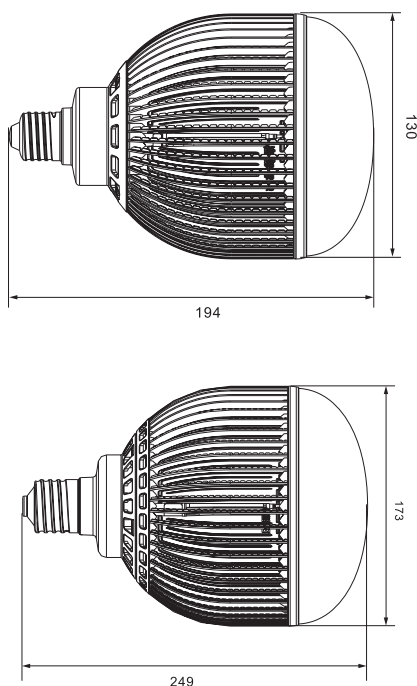
BSD-QP043



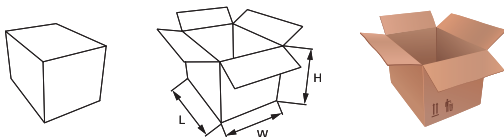
BSD-QP044



外形尺寸图 Dimension Diagram



包装参数 Packaging Parameters



Item	Size(mm)	包装数量 Qty	外箱尺寸 Carton Size
BSD-QP043		18PCS	440L×440W×470H
BSD-QP044		9PCS	575L×575W×300H

产品特点 Product Features

光线柔和, 光谱纯正, 发光效率高, 照度均匀性良好, 对眼睛无刺激性. 导热面与空气的接触面积大, 散热效果好, 具有过压保护、过流保护和短路保护等功能, 安全可靠。

Soft light, pure optical spectrum, high luminous efficiency, excellent illumination uniformity, no irritation to eyes. Big contact area between thermal surface and atmosphere, superior heat dissipation performance, overvoltage, overcurrent and short circuit protection, safe and reliable.

应用场合 Applications

用于商场、办公大楼、酒店、展厅、会议室、医院、橱窗、居室等场所, 特别适合豪华型高标准大空间的照明装饰。

Apply to market, office building, hotel, exhibition room, meeting room, hospital, show window, living room, etc. Especially suitable for lighting decoration of big luxurious high-standard place, etc.

规格参数 Specifications

型号 Type	QP043/ QP044
材料 Material	Al
防护等级 IP Rating	IP40
功率 Power (W)	27W / 36W
输入电压 Input Voltage (V)	85-265
光源类型 Light source Type	high power LED
芯片尺寸 Chip Size (mil)	45
光源数量 Light Source Quantity (pcs)	27 / 36
光源光效 Luminous Efficiency (Lm/W)	90-130
显色指数 CRI	80
色温 Color Temp (k)	2800-7000K
环境温度 Environment Temperature (°C)	-40~45
使用寿命 Lifespan (h)	30000-80000



LED 球泡灯

LED Bulb Light

BSD-QP045



BSD-QP046



产品特点 Product Features

光线柔和, 光谱纯正, 发光效率高, 照度均匀性良好, 对眼睛无刺激性. 导热面与空气的接触面积大, 散热效果好, 具有过压保护、过流保护和短路保护等功能, 安全可靠。

Soft light, pure optical spectrum, high luminous efficiency, excellent illumination uniformity, no irritation to eyes. Big contact area between thermal surface and atmosphere, superior heat dissipation performance, overvoltage, overcurrent and short circuit protection, safe and reliable.

应用场合 Applications

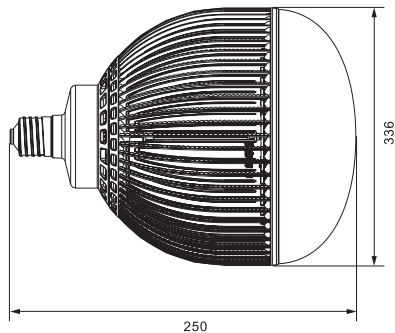
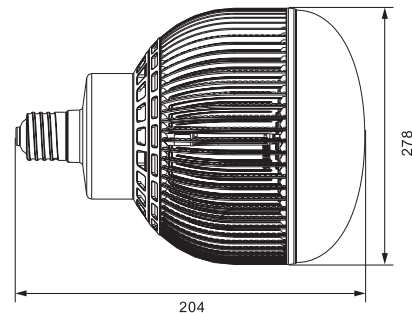
用于商场、办公大楼、酒店、展厅、会议室、医院、橱窗、居室等场所, 特别适合豪华型高标准大空间的照明装饰。

Apply to market, office building, hotel, exhibition room, meeting room, hospital, show window, living room, etc. Especially suitable for lighting decoration of big luxurious high-standard place, etc.

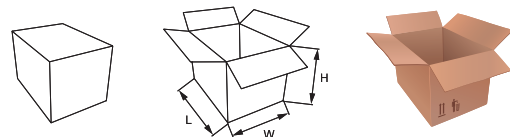
规格参数 Specifications

型号 Type	QP045 / QP046
材料 Material	Al
防护等级 IP Rating	IP40
功率 Power (W)	60W / 120W
输入电压 Input Voltage (V)	85-265
光源类型 Light source Type	high power LED
芯片尺寸 Chip Size (mil)	45
光源数量 Light Source Quantity (pcs)	60 / 120
光源光效 Luminous Efficiency (Lm/W)	90-130
显色指数 CRI	80
色温 Color Temp (k)	2800-7000K
环境温度 Environment Temperature (°C)	-40~45
使用寿命 Lifespan (h)	30000-80000

外形尺寸图 Dimension Diagram



包装参数 Packaging Parameters



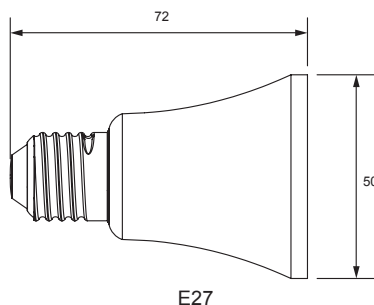
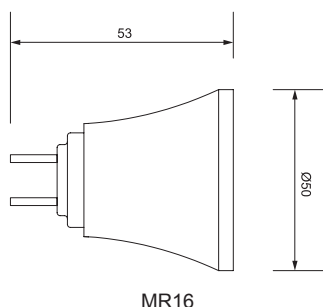
Item	Size(mm)	包装数量 Qty	外箱尺寸 Carton Size
BSD-QP045		4PCS	445L×445W×325H
BSD-QP046		1PCS	315L×315W×400H

LED 灯杯

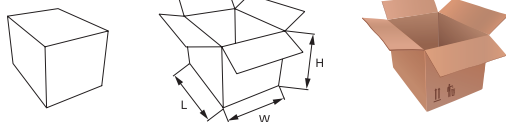
LED Cup Lamp



外形尺寸图 Dimension Diagram



包装参数 Packaging Parameters



Item	Size(mm)	包装数量 Qty	外箱尺寸 Carton Size
BSD-DB001		100PCS	300L×300W×280H
BSD-DB002		100PCS	300L×300W×360H

产品特点 Product Features

高亮度LED作为冷光源，不含有害化学物质，无易破碎玻璃，可以直接接220V/110V交流电或12V直流电压，可以通过内置电脑编程芯片控制可产生渐变、跳变及亮度变化等多种效果。

Using super bright white LED as cold light source, no light pollution, no harmful chemical substances, no glass. Directly use 220V/110V AC or 12V DC voltage. It can be controlled by built-in computer programming chip which results multiple effects, such as fading, flashing and brightness changing effects.

应用场合 Applications

可广泛应用于商场、家庭、展会展览馆、体育馆、会议室、广告灯饰等场所的照明。

Apply to market, home, exhibition, exhibition hall, stadium, meeting room, advertising and lighting decorative place, etc.

规格参数 Specifications

型号 Type	DB001 / DB002
材料 Material	Al
防护等级 IP Rating	IP40
功率 Power (W)	3W / 3W
输入电压 Input Voltage (V)	12 / 85-265
光源类型 Light source Type	MCOB LED
芯片尺寸 Chip Size (mil)	10*23
光源数量 Light Source Quantity (pcs)	1 / 1
光源光效 Luminous Efficiency (Lm/W)	90-130
显色指数 CRI	80
色温 Color Temp (k)	2800-7000
环境温度 Environment Temperature (°C)	-40~45
使用寿命 Lifespan (h)	30000-80000



LED 灯杯

LED Cup Lamp

BSD-DB003



BSD-DB004



产品特点 Product Features

高亮度LED作为冷光源，不含有害化学物质，无易破碎玻璃，可以直接接220V/110V交流电或12V直流电压，可以通过内置电脑编程芯片控制可产生渐变、跳变及亮度变化等多种效果。

Using super bright white LED as cold light source, no light pollution, no harmful chemical substances, no glass. Directly use 220V/110V AC or 12V DC voltage. It can be controlled by built-in computer programming chip which results multiple effects, such as fading, flashing and brightness changing effects.

应用场合 Applications

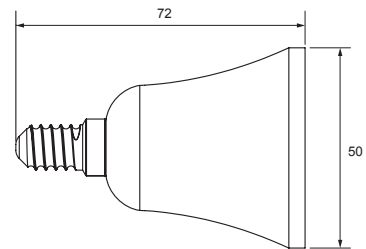
可广泛应用于商场、家庭、展会展览馆、体育馆、会议室、广告灯饰等场所的照明。

Apply to market, home, exhibition, exhibition hall, stadium, meeting room, advertising and lighting decorative place, etc.

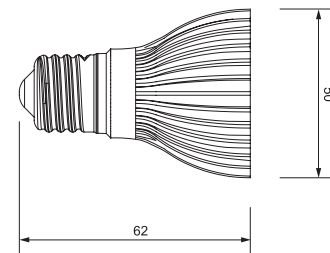
规格参数 Specifications

型号 Type	DB003 / DB004
材料 Material	Al
防护等级 IP Rating	IP40
功率 Power (W)	5W / 3W
输入电压 Input Voltage (V)	85-265
光源类型 Light source Type	MCOB LED / high power LED
芯片尺寸 Chip Size (mil)	45
光源数量 Light Source Quantity (pcs)	1 / 3
光源光效 Luminous Efficiency (Lm/W)	90-130
显色指数 CRI	80
色温 Color Temp (k)	2800-7000
环境温度 Environment Temperature (°C)	-40~45
使用寿命 Lifespan (h)	30000-80000

外形尺寸图 Dimension Diagram

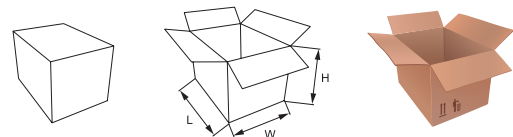


E14



E27

包装参数 Packaging Parameters



Item	Size(mm)	包装数量 Qty	外箱尺寸 Carton Size
BSD-DB003		100PCS	300L×300W×360H
BSD-DB004		100PCS	300L×300W×320H

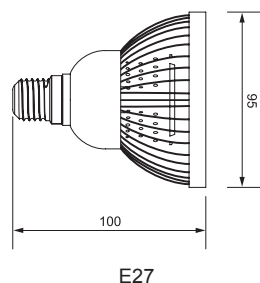
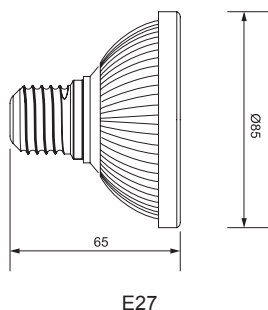
LED 灯杯

LED Cup Lamp



外形尺寸图 Dimension Diagram

产品特点 Product Features



高亮度LED作为冷光源，不含有害化学物质，无易破碎玻璃，可以直接接220V/110V交流电或12V直流电压，可以通过内置电脑编程芯片控制可产生渐变、跳变及亮度变化等多种效果。

Using super bright white LED as cold light source, no light pollution, no harmful chemical substances, no glass. Directly use 220V/110V AC or 12V DC voltage. It can be controlled by built-in computer programming chip which results multiple effects, such as fading, flashing and brightness changing effects.

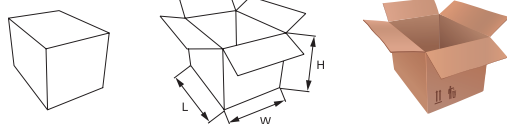
应用场合 Applications

可广泛应用于商场、家庭、展会展览馆、体育馆、会议室、广告灯饰等场所的照明。

Apply to market, home, exhibition, exhibition hall, stadium, meeting room, advertising and lighting decorative place, etc.

包装参数 Packaging Parameters

规格参数 Specifications



Item	Size(mm)	包装数量 Qty	外箱尺寸 Carton Size
BSD-DB005		100PCS	480L×480W×320H
BSD-DB006		100PCS	520L×520W×500H

型号 Type	DB005 / DB006
材料 Material	Al
防护等级 IP Rating	IP40
功率 Power (W)	5W / 5W
输入电压 Input Voltage (V)	85-265
光源类型 Light source Type	high power LED
芯片尺寸 Chip Size (mil)	45
光源数量 Light Source Quantity (pcs)	5 / 5
光源光效 Luminous Efficiency (Lm/W)	90-130
显色指数 CRI	80
色温 Color Temp (k)	2800-7000
环境温度 Environment Temperature (°C)	-40~45
使用寿命 Lifespan (h)	30000-80000