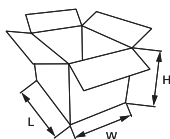
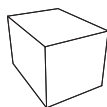
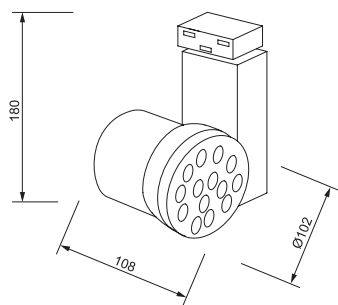
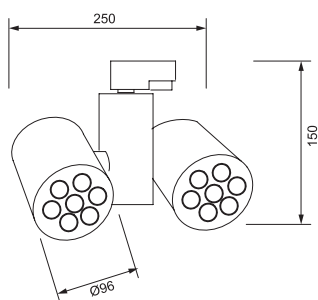




# LED 轨道灯



## LED Pail Light



Item	Size(mm)	包装数量 Qty	外箱尺寸 Carton Size
BSD-GD011		10PCS	520L×350W×350H
BSD-GD012		10PCS	520L×545W×395H

恒流驱动器，确保LED稳定工作，铝合金灯体和整体模压加工工艺，确保良好的散热效果，有效的减少了LED使用过程中的光衰，高亮度，节能，环保高效，稳定。

Constant current driver, ensuring LED working stability. Aluminium alloy shell and embossed work processing technology to ensure the excellent heat dissipation, and effectively reduce luminous decay, high brightness, energy saving and environmental protection and high stability.

适用于各类博物馆、画展馆、服装专卖店、各大卖场、大型商场、品牌专卖店、酒店、宾馆、展示厅、办公室等场所照明。

Apply to museum, gallery, clothing shop, marketplstar, superstore, famous brand shop, hotel, showroom and office lighting places, etc.

型 号 Type	GD011 / GD012
材 料 Material	Al
防护等级 IP Rating	IP40
功 率 Power (W)	14W / 12W
输入电压 Input Voltage (V)	85-265
光源类型 Light source Type	high power LED
芯片尺寸 Chip Size (mil)	45
光源数量 Light Source Quantity (pcs )	14 / 12
光源光效 Luminous Efficiency (Lm/W)	90-130
显色指数 CRI	80
色 温 Color Temp (k)	2800-7000k
环境温度 Environment Temperature (°C)	-40~45
使用寿命 Lifespan (h)	30000-80000



# LED 轨道灯

## LED Pail Light

**BSD**



**BSD-GD01**



### 产品特点 Product Features

恒流驱动器，确保LED稳定工作，铝合金灯体和整体模压加工工艺，确保良好的散热效果，有效的减少了LED使用过程中的光衰，高亮度，节能，环保高效，稳定。

Constant current driver, ensuring LED working stability. Aluminium alloy shell and embossed work processing technology to ensure the excellent heat dissipation, and effectively reduce luminous decay, high brightness, energy saving and environmental protection and high stability.

### 应用场合 Applications

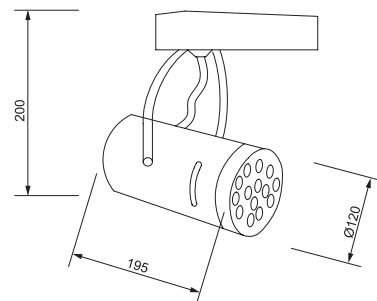
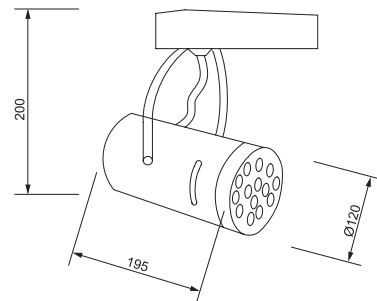
适用于各类博物馆、画展馆、服装专卖店、各大卖场、大型商场、品牌专卖店、酒店、宾馆、展示厅、办公室等场所照明。

Apply to museum, gallery, clothing shop, marketplstar, superstore, famous brand shop, hotel, showroom and office lighting places, etc.

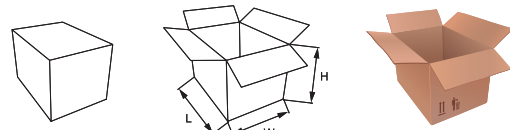
### 规格参数 Specifications

型号 Type	GD013 / GD014
材料 Material	Al
防护等级 IP Rating	IP40
功率 Power (W)	12W / 18W
输入电压 Input Voltage (V)	85-265
光源类型 Light source Type	high power LED
芯片尺寸 Chip Size (mil)	45
光源数量 Light Source Quantity (pcs )	12 / 18
光源光效 Luminous Efficiency (Lm/W)	90-130
显色指数 CRI	80
色温 Color Temp (k)	2800-7000k
环境温度 Environment Temperature (°C)	-40~45
使用寿命 Lifespan (h)	30000-80000

### 外形尺寸图 Dimension Diagram



### 包装参数 Packaging Parameters

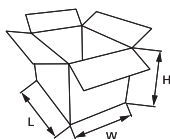
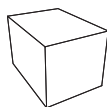
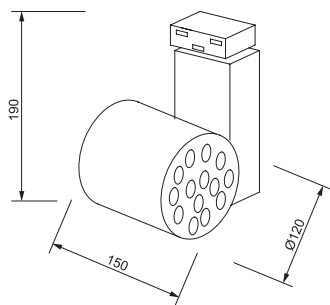
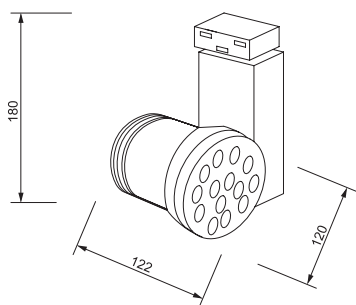


Item	Size(mm)	包装数量 Qty	外箱尺寸 Carton Size
BSD-GD013		1PC	340L×125W×125H
BSD-GD014		1PC	340L×125W×125H

# LED 轨道灯



## LED Pail Light



Item	Size(mm)	包装数量 Qty	外箱尺寸 Carton Size
BSD-GD015		24PCS	465L×415W×435H
BSD-GD016		24PCS	465L×415W×435H

恒流驱动器，确保LED稳定工作，铝合金灯体和整体模压加工工艺，确保良好的散热效果，有效的减少了LED使用过程中的光衰，高亮度，节能，环保高效，稳定。

Constant current driver, ensuring LED working stability. Aluminium alloy shell and embossed work processing technology to ensure the excellent heat dissipation, and effectively reduce luminous decay, high brightness, energy saving and environmental protection and high stability.

适用于各类博物馆、画展馆、服装专卖店、各大卖场、大型商场、品牌专卖店、酒店、宾馆、展示厅、办公室等场所照明。

Apply to museum, gallery, clothing shop, marketplace, superstore, famous brand shop, hotel, showroom and office lighting places, etc.

型号 Type	GD015 / GD016
材料 Material	Al
防护等级 IP Rating	IP40
功率 Power (W)	18W / 18W
输入电压 Input Voltage (V)	85-265
光源类型 Light source Type	high power LED
芯片尺寸 Chip Size (mil)	45
光源数量 Light Source Quantity (pcs)	18 / 18
光源光效 Luminous Efficiency (Lm/W)	90-130
显色指数 CRI	80
色温 Color Temp (k)	2800-7000k
环境温度 Environment Temperature (°C)	-40~45
使用寿命 Lifespan (h)	30000-80000



# LED 轨道灯

## LED Pail Light

**BSD-GD017**



### 产品特点 Product Features

恒流驱动器，确保LED稳定工作，铝合金灯体和整体模压加工工艺，确保良好的散热效果，有效的减少了LED使用过程中的光衰，高亮度，节能，环保高效，稳定。

Constant current driver, ensuring LED working stability. Aluminium alloy shell and embossed work processing technology to ensure the excellent heat dissipation, and effectively reduce luminous decay, high brightness, energy saving and environmental protection and high stability.

### 应用场合 Applications

适用于各类博物馆、画展馆、服装专卖店、各大卖场、大型商场、品牌专卖店、酒店、宾馆、展示厅、办公室等场所照明。

Apply to museum, gallery, clothing shop, marketplstar, superstore, famous brand shop, hotel, showroom and office lighting places, etc.

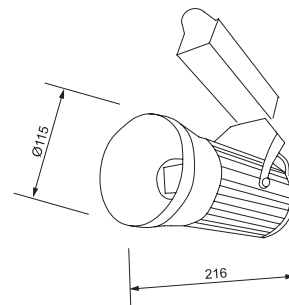
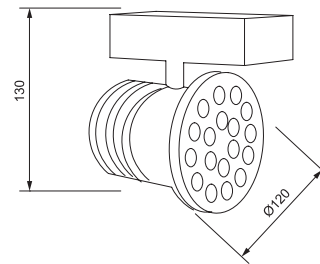
### 规格参数 Specifications

型号 Type	GD017 / GD018
材料 Material	Al
防护等级 IP Rating	IP40
功率 Power (W)	18W / 30W
输入电压 Input Voltage (V)	85-265
光源类型 Light source Type	high power LED
芯片尺寸 Chip Size (mil)	45
光源数量 Light Source Quantity (pcs )	18 / 1
光源光效 Luminous Efficiency (Lm/W)	90-130
显色指数 CRI	80
色温 Color Temp (k)	2800-7000k
环境温度 Environment Temperature (°C)	-40~45
使用寿命 Lifespan (h)	30000-80000

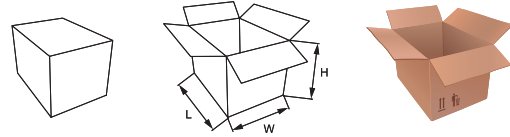
**BSD-GD018**



### 外形尺寸图 Dimension Diagram



### 包装参数 Packaging Parameters

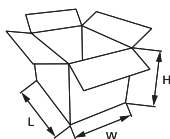
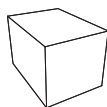
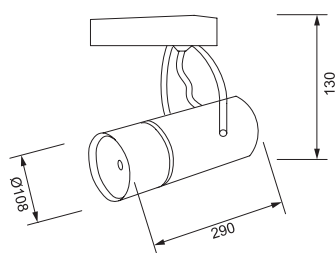
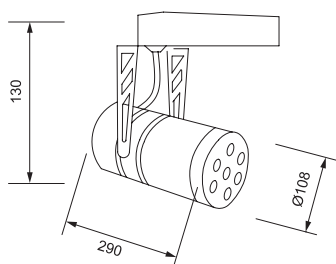


Item	Size(mm)	包装数量 Qty	外箱尺寸 Carton Size
BSD-GD017		24PCS	465L×415W×435H
BSD-GD018		20PCS	555L×555W×720H

# LED 轨道灯



## LED Pail Light



Item	Size(mm)	包装数量 Qty	外箱尺寸 Carton Size
BSD-GD019		24PCS	615L×500W×440H
BSD-GD020		24PCS	615L×500W×440H

恒流驱动器，确保LED稳定工作，铝合金灯体和整体模压加工工艺，确保良好的散热效果，有效的减少了LED使用过程中的光衰，高亮度，节能，环保高效，稳定。

Constant current driver, ensuring LED working stability. Aluminium alloy shell and embossed work processing technology to ensure the excellent heat dissipation, and effectively reduce luminous decay, high brightness, energy saving and environmental protection and high stability.

适用于各类博物馆、画展馆、服装专卖店、各大卖场、大型商场、品牌专卖店、酒店、宾馆、展示厅、办公室等场所照明。

Apply to museum, gallery, clothing shop, marketplstar, superstore, famous brand shop, hotel, showroom and office lighting places, etc.

型 号 Type	GD019 / GD020
材 料 Material	Al
防护等级 IP Rating	IP40
功 率 Power (W)	10W / 20W
输入电压 Input Voltage (V)	85-265
光源类型 Light source Type	Integratad LED
芯片尺寸 Chip Size (mil)	45
光源数量 Light Source Quantity (pcs )	1
光源光效 Luminous Efficiency (Lm/W)	90-130
显色指数 CRI	80
色 温 Color Temp (k)	2800-7000k
环境温度 Environment Temperature (°C)	-40~45
使用寿命 Lifespan (h)	30000-80000



# LED 小射灯

## LED Small Spot Light

**BSD-XSD001**



**BSD-XSD002**



### 产品特点 Product Features

采用铝合金外壳，永不褪色，光学级透镜，晶莹剔透，发光均匀，内置恒流源驱动装置，光衰小，具有低热量，低功耗，长寿命等特点，节能环保，造型别致优雅，防尘，防漏电，防腐蚀，散热好，光源有红、绿、蓝、黄、白、暖白、冷白可选。

Using aluminum alloy shell, never fade, crystal clear optical lens, uniform luminance, built-in constant current driver, low luminous decay, low heat, low power consumption, long lifespan, energy-saving and environmental protection. Unique and elegant outlook, dust proof and anti-creep, corrosion resistance, excellent heat dissipation. The options of light source include red, blue, yellow, white, warm white, cold white.

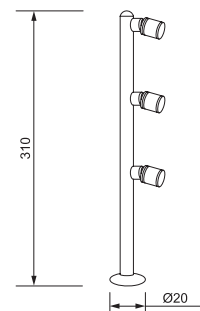
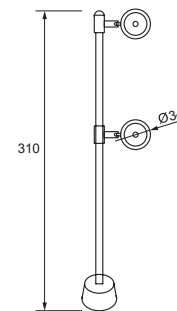
广泛应用于家居、KTV酒吧、高档娱乐家居照明、艺术馆、展厅、酒吧、商场、办公室等场所。

Apply to home lighting, KTV bars, high-end entertainment and home lighting, art gallery, exhibition room, shopping mall, office, etc.

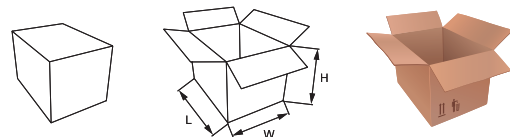
### 规格参数 Specifications

型号 Type	XSD001 / XSD002
材料 Material	Al
防护等级 IP Rating	IP40
功率 Power (W)	6W / 9W
输入电压 Input Voltage (V)	85-265
光源类型 Light source Type	high power LED
芯片尺寸 Chip Size (mil)	45
光源数量 Light Source Quantity (pcs)	2 / 3
光源光效 Luminous Efficiency (Lm/W)	90-130
显色指数 CRI	80
色温 Color Temp (k)	2800-7000
环境温度 Environment Temperature (°C)	-40~45
使用寿命 Lifespan (h)	30000-80000

### 外形尺寸图 Dimension Diagram



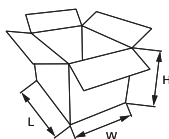
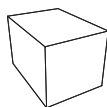
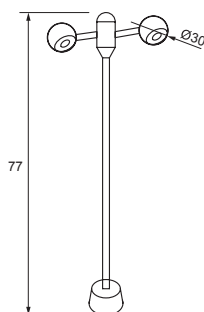
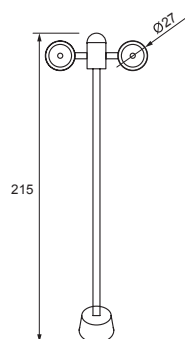
### 包装参数 Packaging Parameters



Item	Size(mm)	包装数量 Qty	外箱尺寸 Carton Size
BSD-XSD001		120PCS	380L×320W×420H
BSD-XSD002		25PCS	220L×220W×340H

# LED 小射灯

## LED Small Spot Light



Item	Size(mm)	包装数量 Qty	外箱尺寸 Carton Size
BSD-XSD003		10PCS	485L×310W×620H
BSD-XSD004		10PCS	515L×370W×730H

采用铝合金外壳，永不褪色，光学级透镜，晶莹剔透透，发光均匀，内置恒流源驱动装置，光衰小，具有低热量，低功耗，长寿命等特点，节能环保，造型别致优雅，防尘，防漏电，防腐蚀，散热好，光源有红、绿、蓝、黄、白、暖白、冷白可选。

Using aluminum alloy shell, never fade, crystal clear optical lens, uniform luminance, built-in constant current driver, low luminous decay, low heat, low power consumption, long lifespan, energy-saving and environmental protection. Unique and elegant outlook, dust proof and anti-creep, corrosion resistance, excellent heat dissipation. The options of light source include red, blue, yellow, white, warm white, cold white.

广泛应用于家居、KTV酒吧、高档娱乐家居照明、艺术馆、展厅、酒吧、商场、办公室等场所。

Apply to home lighting, KTV bars, high-end entertainment and home lighting, art gallery, exhibition room, shopping mall, office, etc.

型号 Type	XSD003 / XSD004
材料 Material	Al
防护等级 IP Rating	IP40
功率 Power (W)	6W / 6W
输入电压 Input Voltage (V)	85-265
光源类型 Light source Type	high power LED
芯片尺寸 Chip Size (mil)	45
光源数量 Light Source Quantity (pcs)	2 / 2
光源光效 Luminous Efficiency (Lm/W)	90-130
显色指数 CRI	80
色温 Color Temp (k)	2800-7000
环境温度 Environment Temperature (°C)	-40~45
使用寿命 Lifespan (h)	30000-80000





# LED 小射灯

LED Small Spot Light

**BSD-XSD005**



**BSD-XSD006**



## 产品特点 Product Features

采用铝合金外壳，永不褪色，光学级透镜，晶莹剔透，发光均匀，内置恒流源驱动装置，光衰小，具有低热量，低功耗，长寿命等特点，节能环保，造型别致优雅，防尘，防漏电，防腐蚀，散热好，光源有红、绿、蓝、黄、白、暖白、冷白可选。

Using aluminum alloy shell, never fade, crystal clear optical lens, uniform luminance, built-in constant current driver, low luminous decay, low heat, low power consumption, long lifespan, energy-saving and environmental protection. Unique and elegant outlook, dust proof and anti-creep, corrosion resistance, excellent heat dissipation. The options of light source include red, blue, yellow, white, warm white, cold white.

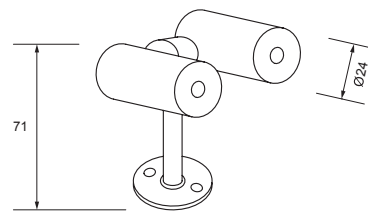
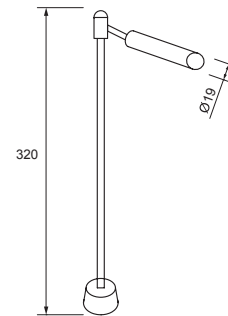
广泛应用于家居、KTV酒吧、高档娱乐家居照明、艺术馆、展厅、酒吧、商场、办公室等场所。

Apply to home lighting, KTV bars, high-end entertainment and home lighting, art gallery, exhibition room, shopping mall, office, etc.

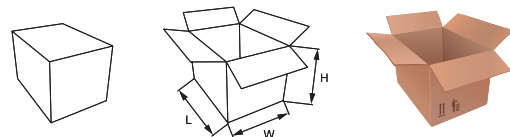
## 规格参数 Specifications

型号 Type	XSD005 / XSD006
材料 Material	Al
防护等级 IP Rating	IP40
功率 Power (W)	3W / 6W
输入电压 Input Voltage (V)	85-265
光源类型 Light source Type	high power LED
芯片尺寸 Chip Size (mil)	45
光源数量 Light Source Quantity (pcs)	1 / 2
光源光效 Luminous Efficiency (Lm/W)	90-130
显色指数 CRI	80
色温 Color Temp (k)	2800-7000
环境温度 Environment Temperature (°C)	-40~45
使用寿命 Lifespan (h)	30000-80000

## 外形尺寸图 Dimension Diagram



## 包装参数 Packaging Parameters



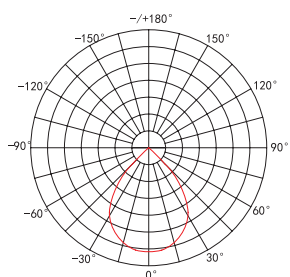
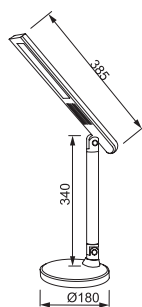
Item	Size(mm)	包装数量 Qty	外箱尺寸 Carton Size
BSD-XSD005		10PCS	515L×370W×730H
BSD-XSD006		120PCS	380L×320W×420H

# LED 台灯

## LED Desk Lamp



可选配色:  黑  白  酒红

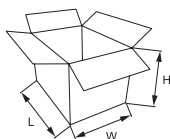
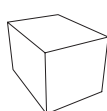


光源方向性好，按需照明，照度充足，满足你的照明需求，直流供电，无频闪，无电磁辐射，绿色环保，高效节能，固体光源，抗机械震动，采用特殊工艺，高光效低衰减，寿命长，是传统光源的几十倍。

Good light source directivity, on demand lighting. Adequate illumination, which meets your lighting need. DC supply, no flicker, no electromagnetic radiation, green environmental protection, energy-efficient. Solide light source, anti-mechanical shock. Using special technics, high luminous efficiency and low luminous decay. Long lifespan, dozens of times than traditional light.

适用于家居、酒店、办公室、操作间等场合的照明。

Apply to home, hotel, office, operating room, etc.



Item	Size(mm) 包装数量 Qty	外箱尺寸 Carton Size
BSD-TDN001	6PCS	420L×305W×440H

型 号 Type	TDN001
材 料 Material	ABS
防护等级 IP Rating	IP40
功 率 Power (W)	4.2W / 6W
输入电压 Input Voltage (V)	220
光源类型 Light source Type	3014 LED
芯片尺寸 Chip Size (mil)	10*23
光源数量 Light Source Quantity (pcs )	42 / 60
光源光效 Luminous Efficiency (Lm/W)	90-130
显色指数 CRI	80
色 温 Color Temp (k)	4200 ± 300K/6100 ± 300K
环境温度 Environment Temperature (°C)	-40~45
使用寿命 Lifespan (h)	30000-80000